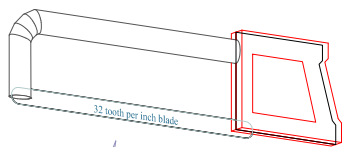
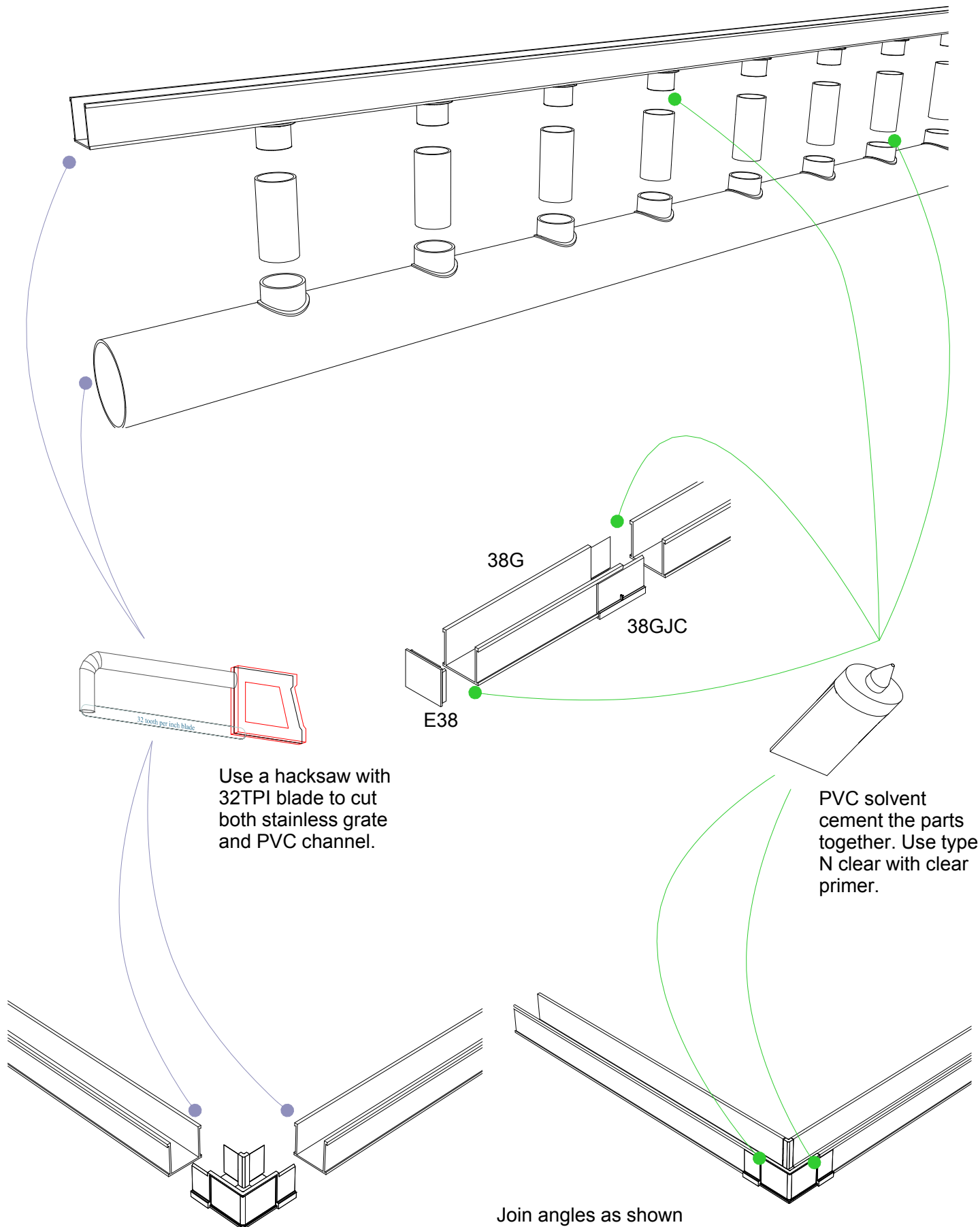
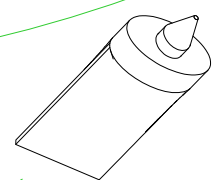
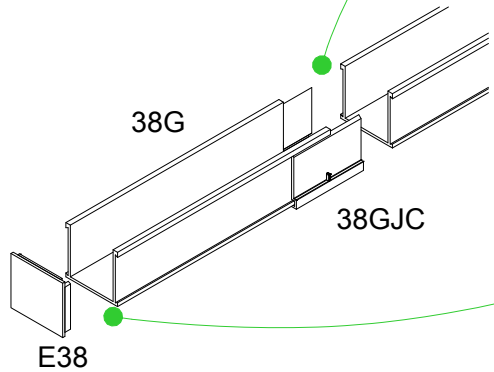


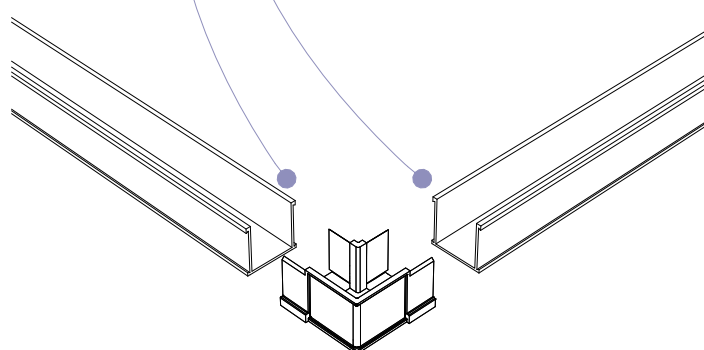
38G90 Assembly



Use a hacksaw with 32TPI blade to cut both stainless grate and PVC channel.



PVC solvent cement the parts together. Use type N clear with clear primer.



Join angles as shown if turning channel around a 90 degree corner.

