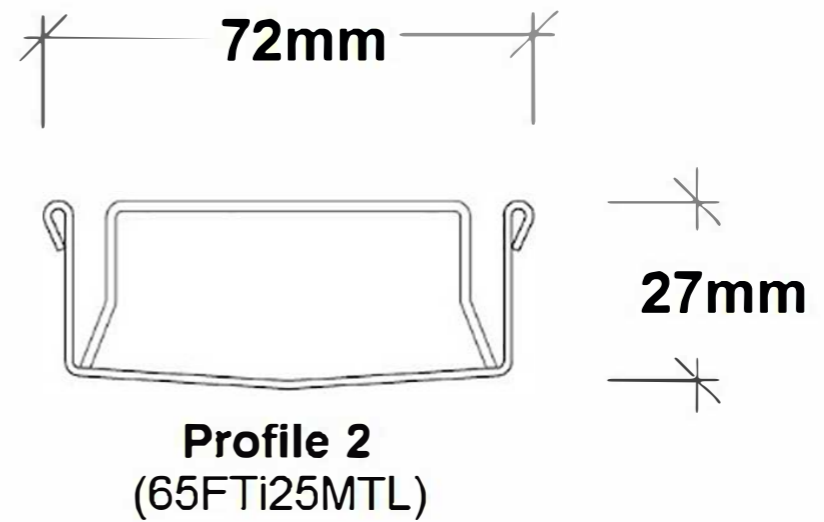
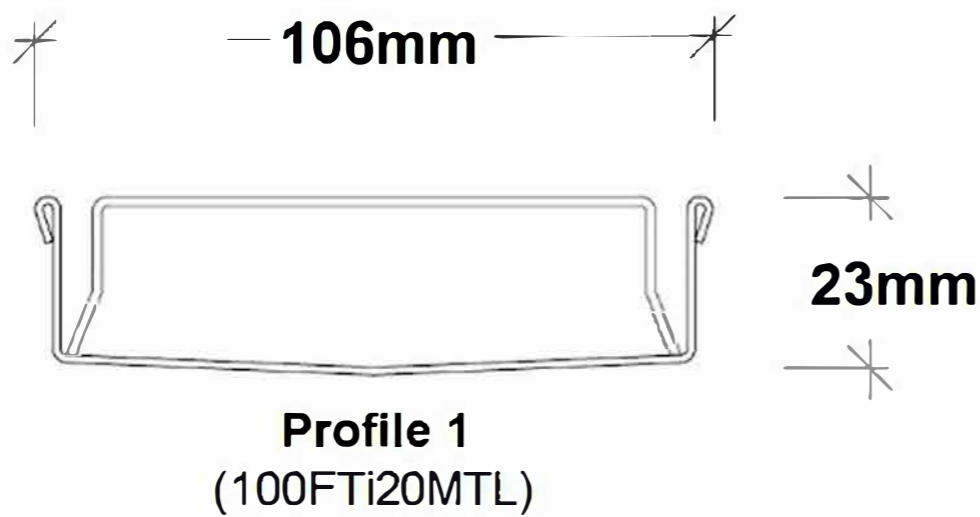




Flat Top and channel

Made-to-Length Order/Quote Form

Tray Profiles



Drain 1

Profile Required
 1 2

Outlet Size
 38mm 44mm 51mm
 63mm 76mm 89mm

mm

Drain 2

Profile Required
 1 2

Outlet Size
 38mm 44mm 51mm
 63mm 76mm 89mm

mm

Drain 3

Profile Required
 1 2

Outlet Size
 38mm 44mm 51mm
 63mm 76mm 89mm

mm

Please Note

- Flat Top will have a polished top
- Outlet size must be smaller than selected range
- Refer to both AS3500 standard, and your local regulator for any specific outlet or drain requirements
- Stainless steel grade is 316SS unless specified

Full Name

Company Name

Telephone

Email Address

Order Number

Stormtech Quote Number

Signature