

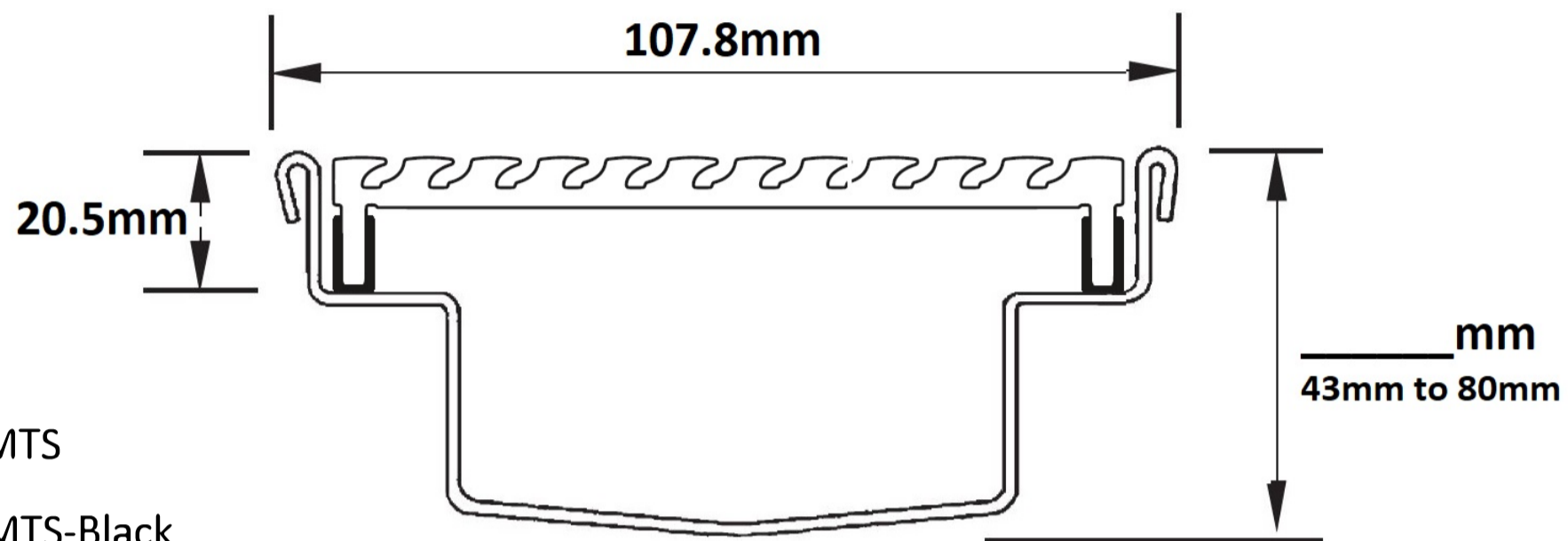


100AAi-MTS

Order Form / Quote Form

Grate Style Wave Grate
 Stormtech Range 100
 Channel Material 316SS Stainless Steel
 Grate Material - Aluminium

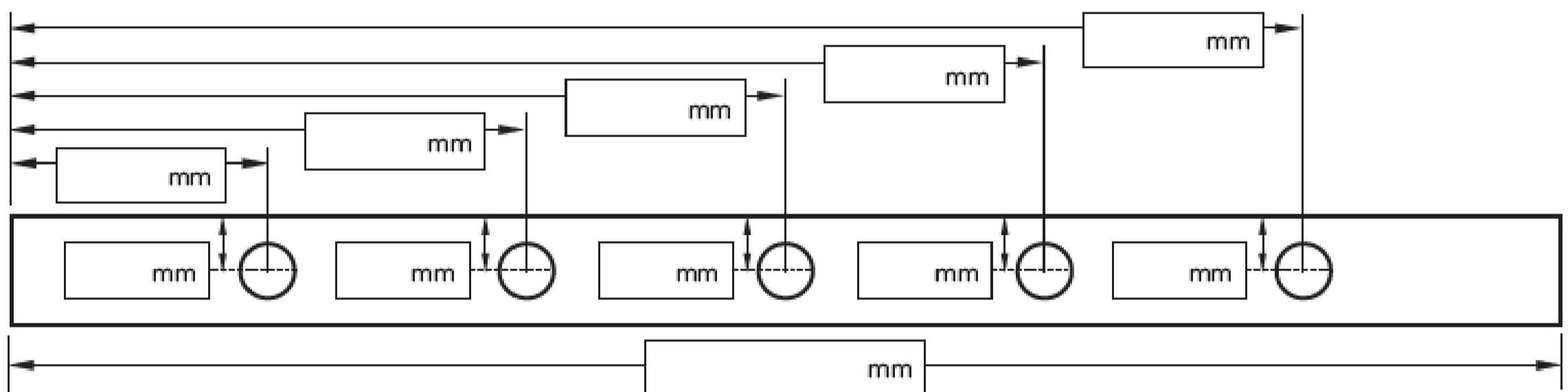
Rebated Profile



Finish / Code

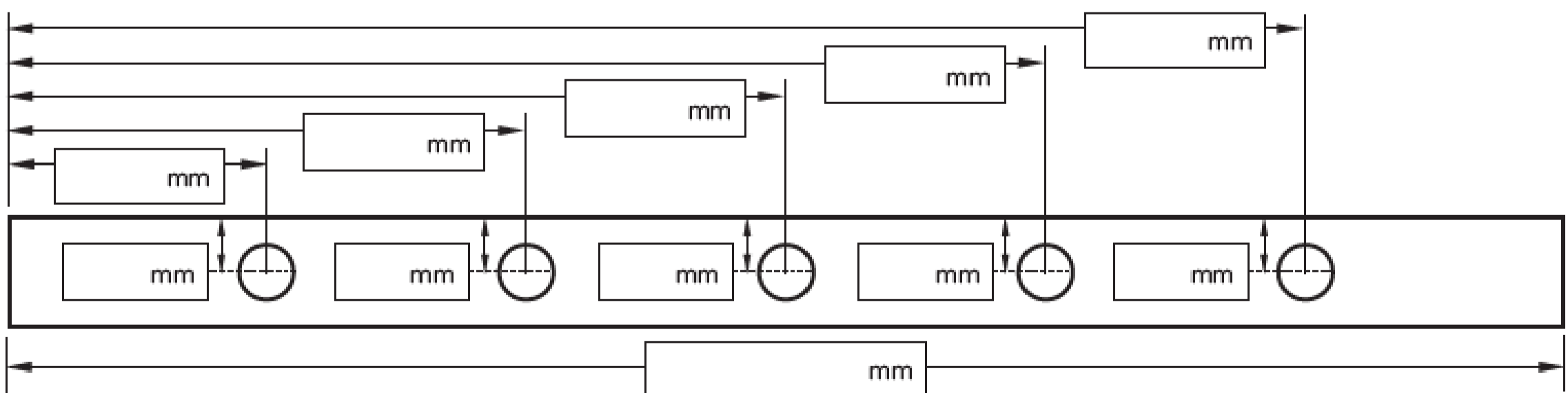
- Standard / Satin 100AAi-MTS
- Matte Black 100AAi-MTS-Black
- Brass Gold 100AAi-MTS-Gold

Please note: Only Aluminium grate is finished, channel is stainless steel



Outlet Size

- 38mm 44mm 51mm
- 63mm 76mm



Outlet Size

- 38mm 44mm 51mm
- 63mm 76mm

Full Name _____

Email Address _____

Company Name _____

Order Number _____ Stormtech Quote Number _____

Telephone _____

Signature _____

Please Note
 See AS3500 standard & local regulator for specific outlet/drain requirements.
 Outlet Size must be smaller than selected Range.
 Marc Newson (MND) grate style not available with Profiles 2 or 4.
 Stainless Steel Grade is 316 unless specified.
 Lengths under 750mm charged at 0.75m rate.
 Orders received after 11am are processed as next working day.