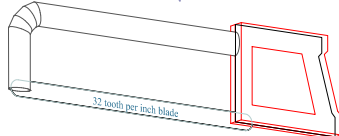
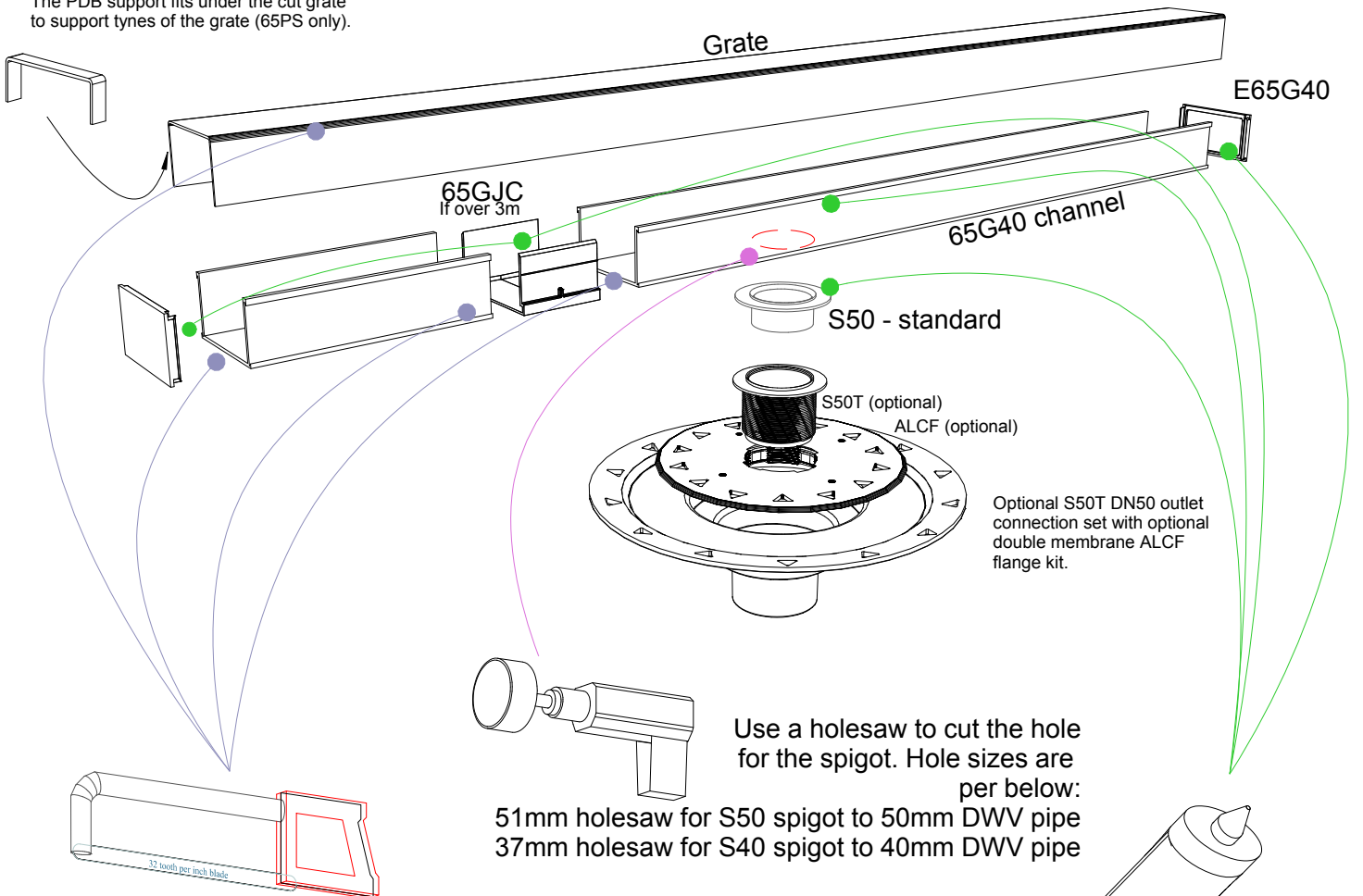


65G40 Assembly

For 65ARG40, 65PHG40, 65PSG40, 65TRG40, and 65TRTiG40.

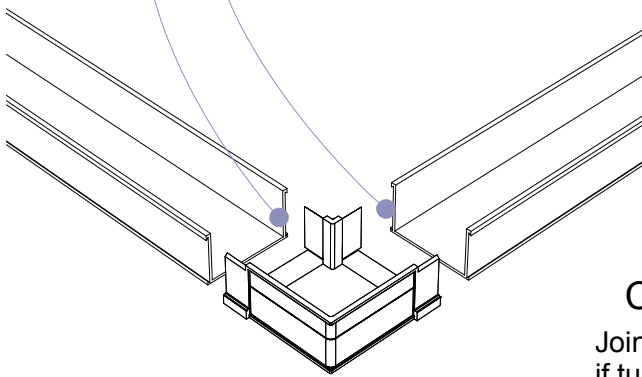


The PDB support fits under the cut grate to support tynes of the grate (65PS only).



Use a hacksaw with 32TPI blade to cut both stainless grate and PVC channel. **NOTE, cut the GRATE AFTER the CHANNEL is ASSEMBLED. The GRATE will be SHORTER to fit INSIDE the channel.**

PVC solvent cement the parts together. Use type N clear with clear primer.



65GAM

CORNERS

Join angles as shown if turning channel around a 90 degree corner.

